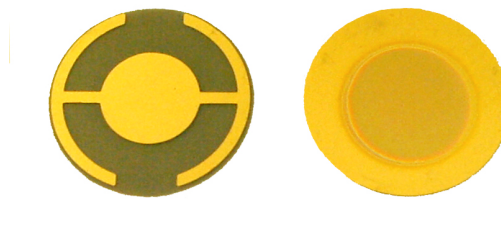


Quartz Crystal Monitor (QCM)

- **Typical application**

QCM for thin film deposition control



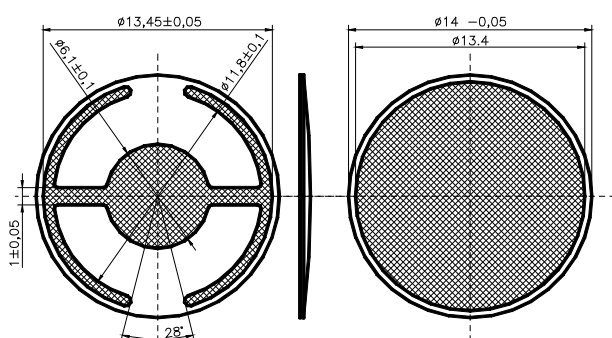
- **Typical specifications**

Type	Quartz Crystal Monitor for Thin Film Deposition Control		
Frequency range [kHz]	4990 ± 20	5970 ± 20	10 000 ± 1
Operating temperature range	+15 ~ +55°C	+20 ~ +125°C	+15 ~ +30°C
Frequency stability vs. Temperature range	±5 x 10 ⁻⁶	±40 x 10 ⁻⁶	±100 x 10 ⁻⁶
Resistance max [Ω]	20		30
Metallisation	Cr+Au, Cr+Ag, Au, Ag - Model 1 or 2		Cr+Au, Cr+Ag, Au, Ag - Model 3
Drive level	100 μW max		

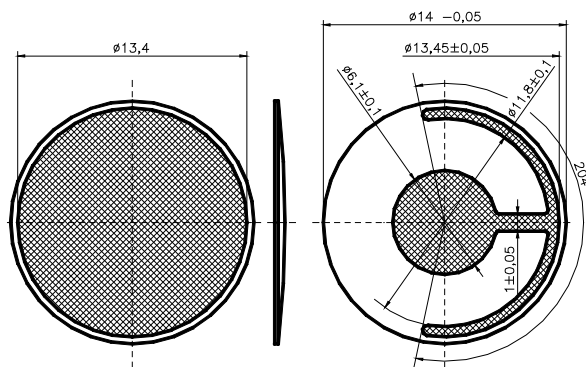
Please consult with us for other specification.

- **Outline dimensions [Unit: mm]**

Model 1
Shape: plano-convex



Model 2
Shape: plano-convex



Model 3
Shape: plano-plano

